



Open possibilities.



Schlage **Encode**TM
Making homes **smarter.**

Home automation at your fingertips, the stylish Schlage Encode™ Smart Wi-Fi Deadbolt **gives you total control.**



Schlage Encode™

The revolutionary Schlage Encode™ Smart Wi-Fi Deadbolt connects directly to your home Wi-Fi. There's no need to purchase an extra accessory or hub to control your lock from anywhere, making it easy and intuitive to use.

Simply pair your lock with the Schlage Home app on your smartphone to lock and unlock your door from anywhere. You specify who has access and when by setting up to 100 codes, or send virtual keys to trusted friends, family or guests via text or email. Receive notifications when your lock has been accessed.

Total control and peace of mind at your fingertips.

Visit schlage.com.au/encode for more information.

Features and benefits

Exceptional convenience

- Built-in Wi-Fi allows you to lock/unlock your door from anywhere
- Easy to set up and program using the Schlage Home app
- Use voice commands via Google Assistant and Amazon Alexa
- Program access codes for temporary or reoccurring visitors
- Send virtual keys via text message to guests
- Can be retrofitted in minutes using a screwdriver

Enhanced security

- Graded best in Security, Durability and Finish (BHMA Grading System)
- Built-in alarm technology senses potential security breaches at the lock
- Illuminated fingerprint-resistant touchscreen
- Low battery indicator offers weeks of advanced warning for battery replacement

Specifications

Codes

- 100 code capacity

Warranty

- 3-Year electronic
- Limited Lifetime mechanical and finish

Battery

- Uses 4 AA alkaline batteries

Door thickness

- 35mm to 46mm

Backset

- 60/70mm adjustable



Smart Wi-Fi Deadbolts



Century

● SNP
SRE60121



Century

● B
SRE60120

Entrance Handles (sold separately)



Century Pull Handle Set

● SNP
Includes Exterior Handle
and internal Latitude Lever
SRE60085



Latitude

Exterior Handle



Century Pull Handle Set

● B
Includes Exterior Handle
and internal Latitude Lever
SRE60081



Latitude

Exterior Handle



Open possibilities.

We believe that **style lives in the details**, because it's the details that bring everything together in a home.

Our door hardware, electronic locks and door accessories provide **open possibilities** for homeowners to reflect their style.

Every day, Schlage creates solutions that bring our customer's visions to life. These solutions make homes and lives **smarter, safer and more beautiful.**

At the end of the day, **we're opening a lot more than just doors.**

Discover more at schlage.com.au/encode

Allegion (Australia) Pty Ltd

Freephone 1800 098 094

Email auinfo@allegion.com

www.allegion.com.au

Allegion (New Zealand) Limited

Freephone 0800 477 869

Email nzinfo@allegion.com

www.allegion.co.nz

About Allegion™

Allegion (NYSE: ALLE) is a global pioneer in seamless access, with leading brands like CISA®, Interflex®, LCN®, Schlage®, SimonsVoss® and Von Duprin®. Focusing on security around the door and adjacent areas, Allegion secures people and assets with a range of solutions for homes, businesses, schools and institutions. Allegion had US\$2.7 billion in revenue in 2018, and sells products in almost 130 countries.

Brio ■ <FSH> ■ *Gainsborough* ■ LEGGE ■ SCHLAGE

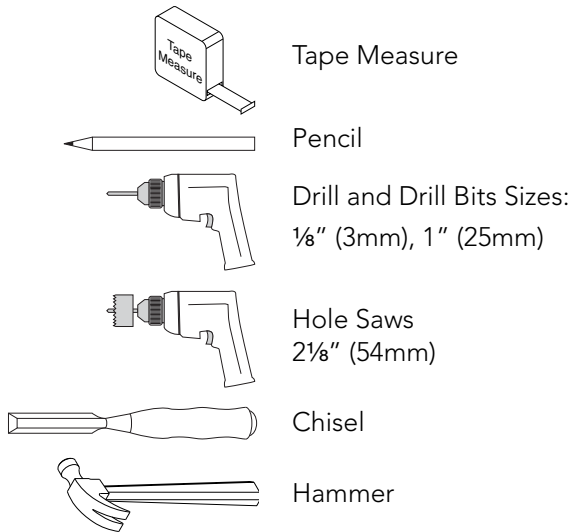


Door Preparation Instructions for Door **with Existing Holes**

Schlage Encode™, SRE60120 and SRE60121

Tools Needed

① **If you are uncomfortable performing these steps, call a locksmith for assistance.**

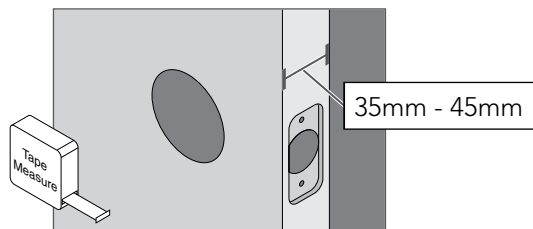


1 Measure door thickness.

If the door is thinner than 35mm or thicker than 45mm, then the lock will not fit properly on the door.

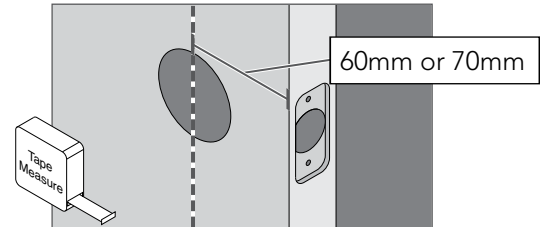
A thick door kit is used to fit the Schlage Encode to doors that are between 46mm and 64mm thick.

① **A thick door kit is available from Product Support at 0800 477 869**



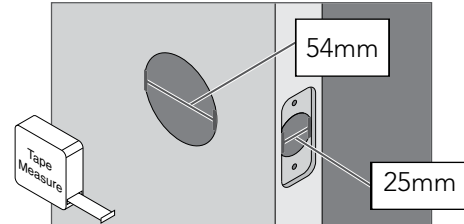
2 Measure the backset.

If existing backset is not 60mm or 70mm, then the lock will not fit properly on the door.

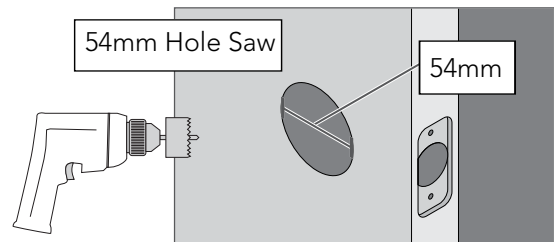


3 Measure the hole sizes.

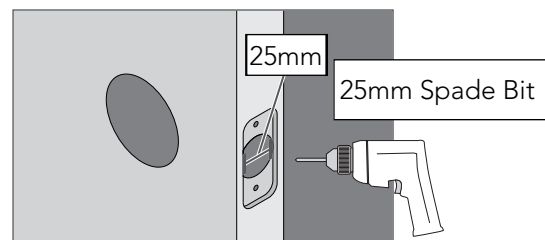
3a If hole sizes are larger than those shown, then the lock will not fit properly on the door. If hole sizes are smaller than those shown, see steps 3b and 3c.



3b If necessary, enlarge hole in door face.

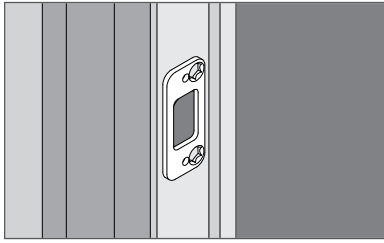


3c If necessary, enlarge hole in door edge.

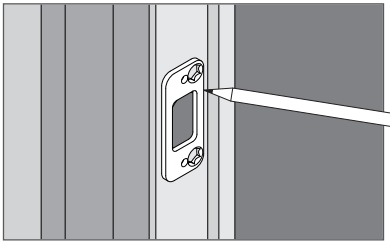


4 Check the door jamb.

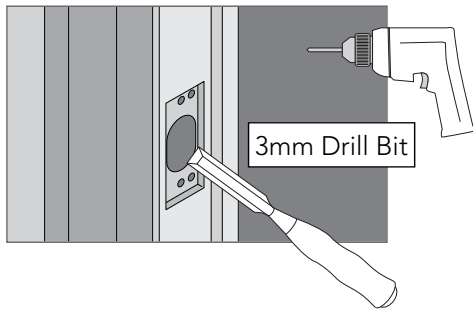
- 4a Place new strike and reinforcement plate against the door jamb. If these do not fit properly, see steps **4b** and **4c** .



- 4b If correction is necessary, trace faceplate and mark holes.



- 4c If necessary, use chisel, hammer and drill to correct door jamb preparation.



- 5 Please contact us for accessories if required.
0800 477 869

Questions about your new
Schlage **Encode**™ Smart Wi-Fi Deadbolt?

Please don't return it to the store!

Let us help you first!



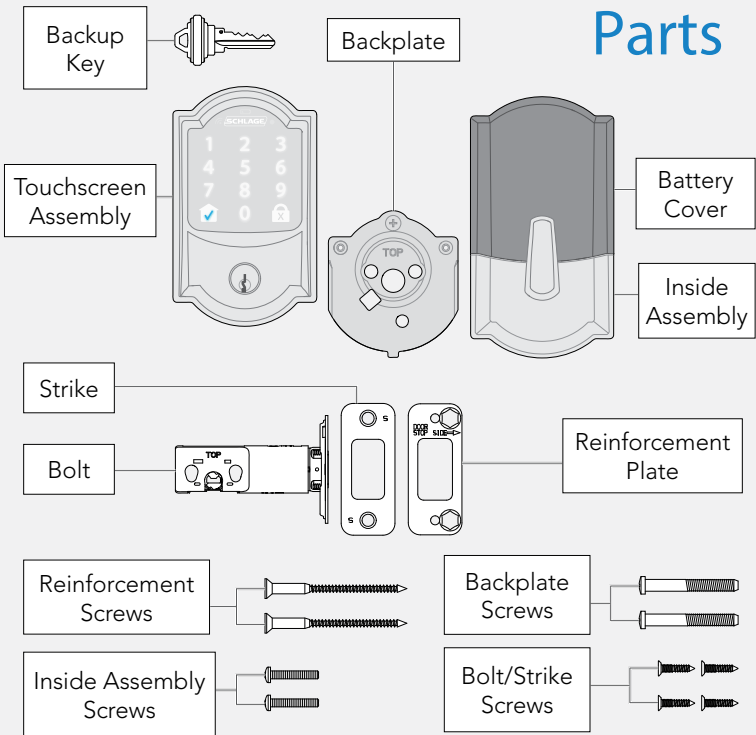
schlage.co.nz/encode

Schlage New Zealand
Customer Service:
0800 477 869



© Allegion 2018
Schlage Encode door prep with
holes Rev. 10/19

Parts





Start here!

schlage.com/encode-workswith

Visit schlage.com/encode-workswith
to setup and control your Schlage **Encode™**
with your smartphone.

Schlage Encode™ is only available in Century style in New Zealand.

Touchscreen



Communication Icon

- Flashes when lock is connecting to WiFi to check for updates.



Low Battery Icon

- Flashes after code is entered when battery is low.
- Solid when battery is critical. The lock will not work without new batteries.



Programming and Input LED

- Flashes white on every digit that is entered.
- Amber when using manual programming mode.



Home Button and Checkmark Icon

- Turns on keypad backlight.
- Starts WiFi connection process.
- Checkmark flashes when code entry is correct.
- Checkmark flashes when manual programming are successful.



Lock Button and "X" Icon

- Locks the lock.
- Turns on keypad backlight if the lock is locked.
- "X" flashes for a wrong user code.



Tools



Phillips screwdriver

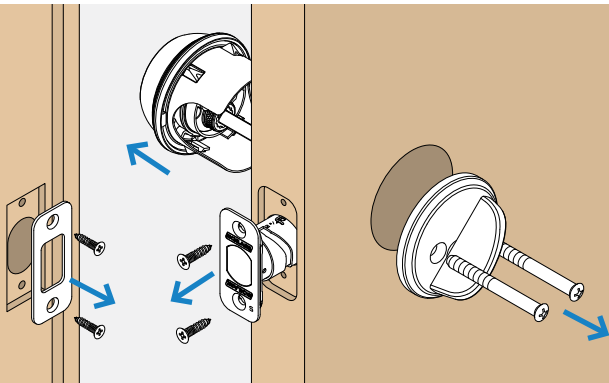
Don't use a power drill!

step

1

Remove existing lock.

Remove the entire deadbolt, including the bolt. You may also want to remove the strike. A standard Schlage deadbolt is shown. Check with your specific deadbolt manufacturer if you need help.



step
2

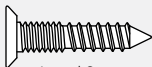
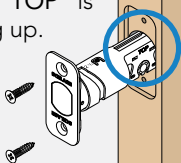
Need Help?

Visit schlage.com/faqs-encode .

Install the bolt.

You may have to adjust your bolt length. Make sure the slot in the bolt is centered in the hole.

Make sure the word "TOP" is facing up.

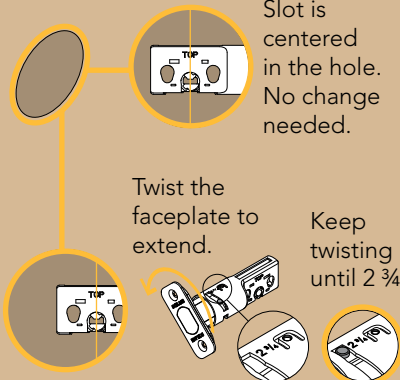


Actual Size

Slot is centered in the hole. No change needed.

Twist the faceplate to extend.

Keep twisting until $2\frac{3}{4}$ ".



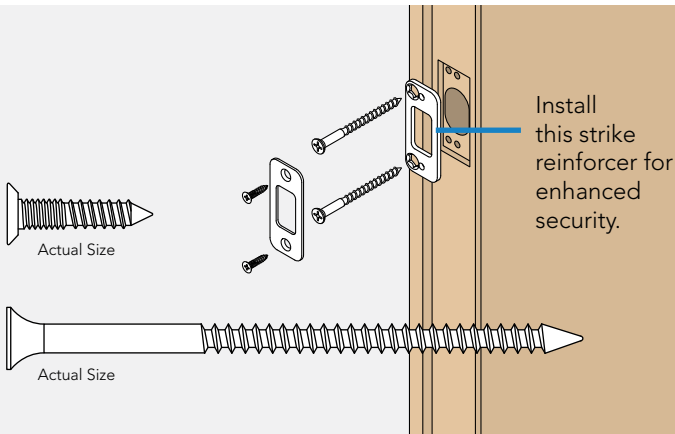
step
3

Need Help?

Trouble installing the strike reinforcer?
Visit [schlage.com/faqs-encode](https://www.schlage.com/faqs-encode)
and follow interactive instructions.

Install the strike into the door frame.

If you have a window next to your door, you may not be able to use the longer wood screws to install the reinforcer.



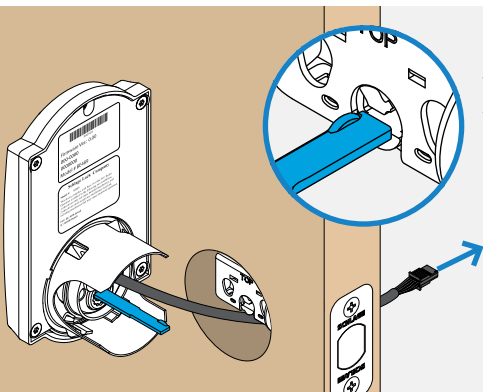
step
4

Is it hard to install the touchscreen?
Is the tailpiece not installing correctly?

If your through hole seems too small, you may need to remove the spacer. Visit schlage.com/faqs-encode .

Install the touchscreen.

Route the cable through the door **BELOW** the bolt. Align the tailpiece as shown and push the touchscreen onto the door.



The bump on the tailpiece aligns with the slot in the bolt.

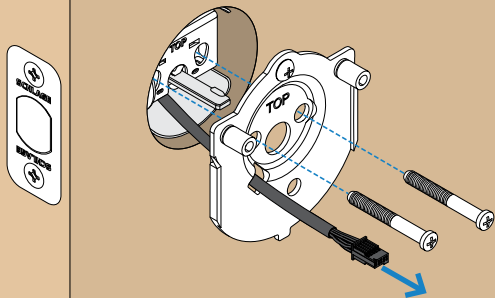
step
5



Phillips screwdriver
Don't use a power drill!
You may damage your
lock!

Install the backplate.

Route the cable under the bolt and through the hole on the bottom of the backplate. Secure the backplate with screws. Make sure the outside touchscreen is straight before tightening screws all the way.

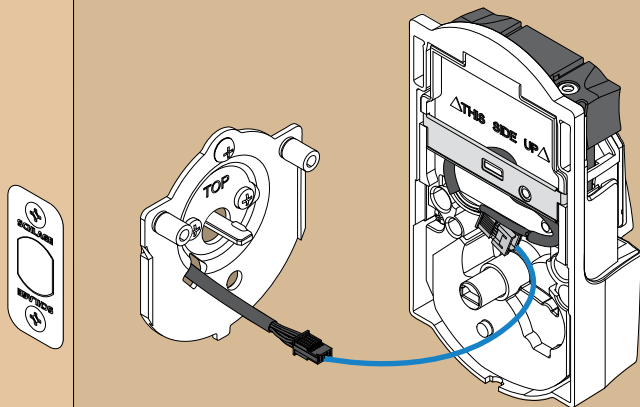


step

6

Connect the cable.

Tuck the cable and connector in the space above the spindle.



step
7



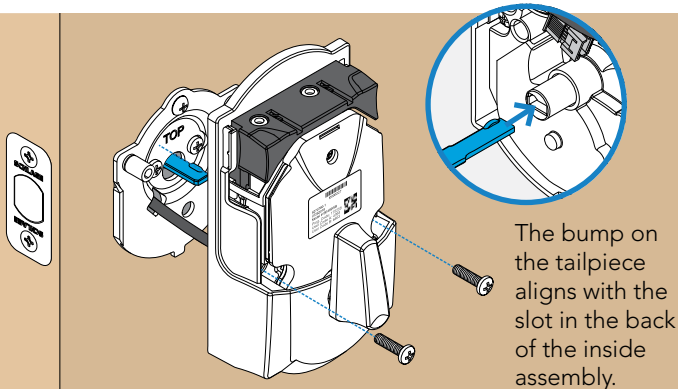
Phillips screwdriver

Don't use a power drill!

You may damage your lock!

Secure the lock to the door.

If the bump on the tailpiece doesn't align with the slot in the back of the inside assembly, make sure your thumbturn is vertical (up and down).

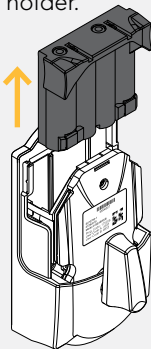


The bump on the tailpiece aligns with the slot in the back of the inside assembly.

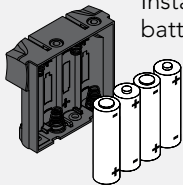
step
8

Install batteries and slide the cover on.

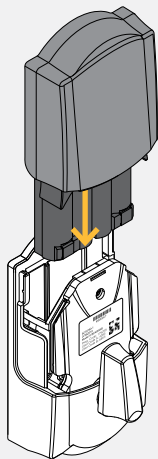
Pull out battery holder.



Install batteries.



Reinstall battery holder.
Turn the battery holder
around so the batteries
face the door.

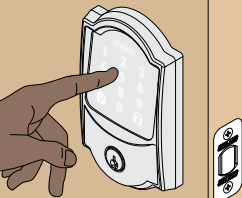


That wasn't so bad, was it?

Your lock is now installed! Remember, you still have to set up your lock to use it.

step

9



Set up your lock.

1. Open your door!
2. Enter one of the two default user codes.
3. Your lock will enter a setup routine. When the bolt stops moving, setup is complete.

Final test!

1. Close your door.
2. Extend and retract the bolt using the inside thumbturn.
3. Make sure the bolt retracts smoothly.
4. Open your door.
5. Extend the bolt using the inside thumbturn.
6. Now enter a user code at the touchscreen.

Need Help?

If the bolt doesn't extend or retract during testing, visit schlage.com/faqs-encode.



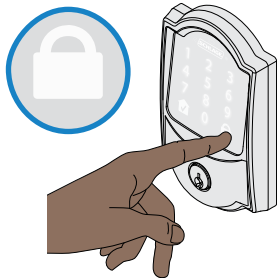
Now that your lock is installed

you can use a smart home system to lock and unlock your door from anywhere and add user codes for guests and household members.

[schlage.com/](https://schlage.com/encode-workswith) encode-workswith

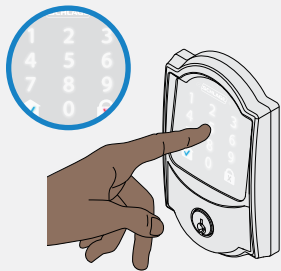
Visit schlage.com/encode-workswith for a list of compatible smart home apps that allow you to control your Schlage **Encode**™ with your smartphone.

Lock and unlock



To lock your door just tap the  lock icon.

You can also lock your door from inside by turning the thumbturn toward the door edge.



To unlock your door enter a user code.

You can also unlock your door from inside by turning the thumbturn away from the door edge.

Questions about your new
Schlage **Encode**™ Smart WiFi Deadbolt?

Please don't return it to the store!

Let us help you first!



www.schlage.com/faqs-encode



© Allegion 2018
Printed in U.S.A.
P518-415 Rev. 08/18-d



P518-415